

Industrial PC iPC10/20



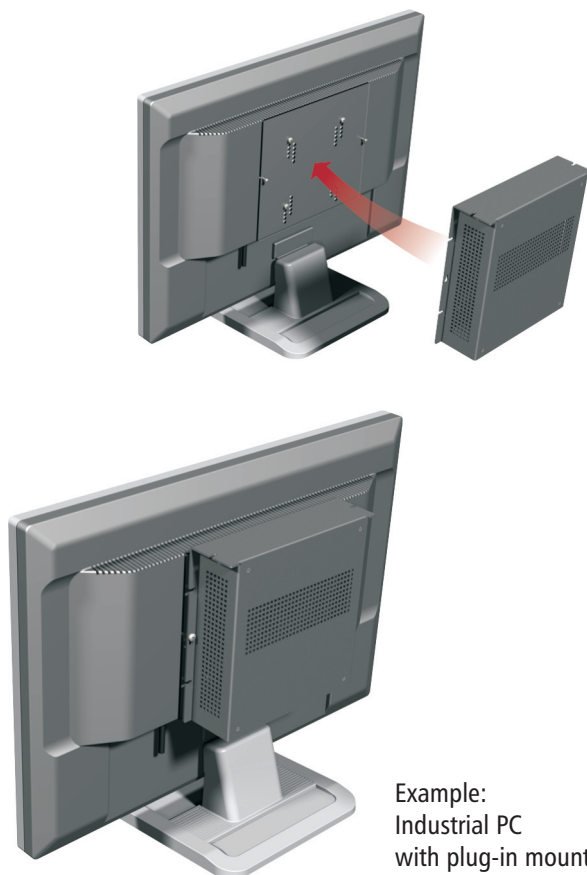
Features

- Universal Industrial PC's
L 190 x W 200 x H 52 mm
- Rugged aluminium housings
with plug-in mounts
- Energy-efficient and low noise
- Connection 12 (24 *) VDC
- Windows® compatible
- Favorable price-performance ratio

The universal industrial PC's iPC10/iPC20 are Windows compatible computers with a favorable price-performance ratio, suitable for applications both in industrial as well as home and office fields. The input supply voltage of 12 (24 *) VDC also allows the use in the automotive industry. With mounting holes arranged in an angle of 90 degrees an upright or horizontal mounting is possible. All connections are led out front, which especially makes a mounting inside the cabinet easier.

Technical Data

	iPC 10	iPC 20
CPU	Intel Atom 230 1,6 GHz	Intel Atom 330 2x1,6 GHz, DualCore
Form factor mainboard	Mini-ITX	Mini-ITX
Main memory	DDR2 RAM ≥ 1GB	DDR2 RAM ≥ 1GB
Hard disk	≥ 160 GB	≥ 160 GB
Graphic card	Intel GMA 950	Intel GMA 950
Monitor	VGA	VGA
PCI	1 PCI 1x	1 PCI 1x
Audio	Realtek® High Definition Audio, 4 Channel	Intel® High Definition Audio, 6 Channel
LAN	1x10/100/1000Mbit/s	1 x 1000 Mbit/s
Supply voltage	12 (24*)VDC/60 W	12 (24*)VDC/60 W
External connectors	4xUSB 2.0, PS2 keyboard/mouse, parallel port, RJ45, COM port, line out, line in, microphone	S-video, 4xUSB 2.0, PS2 keyboard/mouse, parallel port, RJ45, COM port, line out, line in, microphone
Options	Windows XP, Windows Vista	Windows XP, Windows Vista
Air humidity	Max. 90% (non-condensable)	Max. 90% (non-condensable)
Ambient temperature	0°C ... 55°C	0°C ... 55°C
Dimensions WxDxH	200x190x52 mm	200x190x52 mm
Weight	1.1 kg	1.1 kg
AC adaptor plug (option)	60 W	60 W
Item number	371065	371063



Example:
Industrial PC
with plug-in mount
and 22 inch display